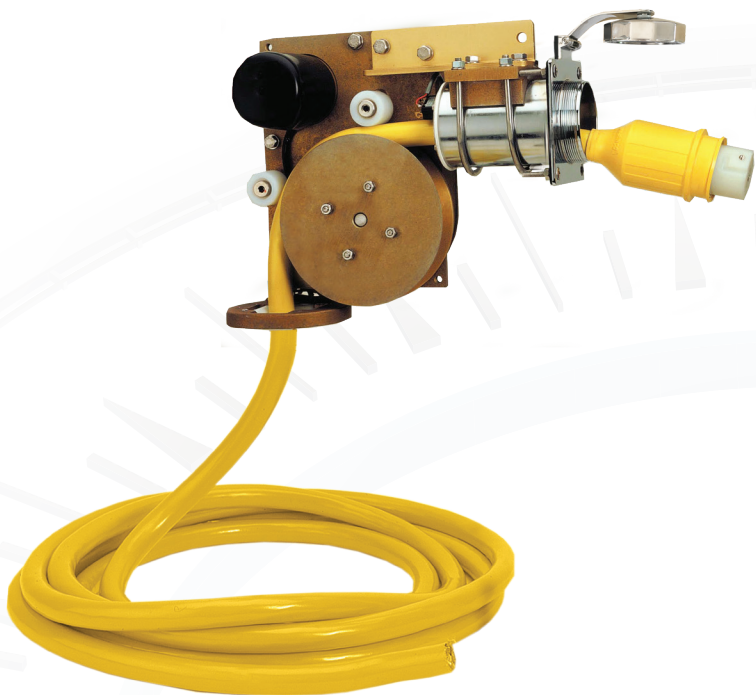


CABLEMASTER™

Shore Power Cable Handling Systems



No more struggling with heavy, twisted, and often dirty cables, Glendinning Cablemaster Systems make easy work of managing your shore power cable.

With powered extension, retraction and storage below deck, no limit to cable length and models available to handle cable up to 250amp (or more) - there's a Cablemaster to suit most applications.

Robust marine construction and powerful drive motors (12 or 24v DC) ensure reliable service together with innovative installation options allowing cable storage in areas below deck that otherwise would go unused making the Glendinning Cablemaster the choice of many major boat builders worldwide.

- **EASY OPERATION** - with the simple flip of a switch or by RF optional wireless remote control extend or retract cable as required.
- **SUITS ALL CABLE SIZES** - models available to suit all common applications including 30/50/100/150/200amp+ (US) and 32/63/125/200 amp+ (EU).
- **EFFICIENT STORAGE** - cable automatically coils into a storage container below deck with maximum cable length determined only by size of storage area.
- **MULTIPLE INSTALLATION OPTIONS** - multiple accessories available to allow power units and/or hawse pipes to be mounted remote from the final cable storage position.
- **TESTED & APPROVED** - UL, CSA, ABYC, CE, ISO8846.

Extend...Retract...Relax!

Glendinning Products, LLC.

740 Century Circle, Conway, SC 29526-8274

t: +1 (843) 399-6146 | e: info@glendinningprods.com | f: +1 (843) 399-5005

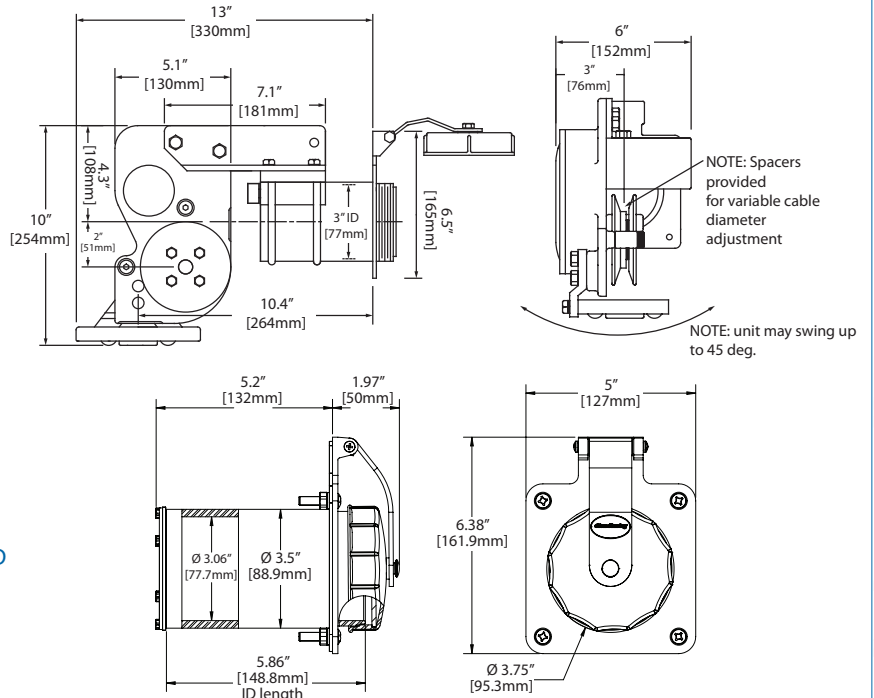
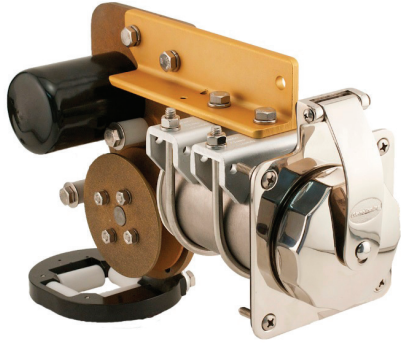
www.glendinningprods.com



CABLEMASTER™

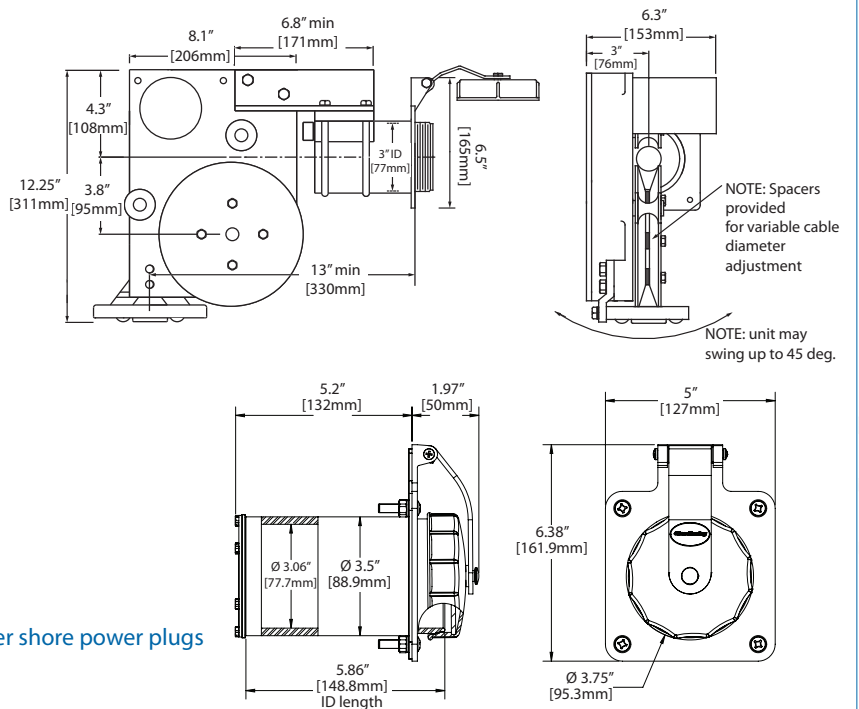
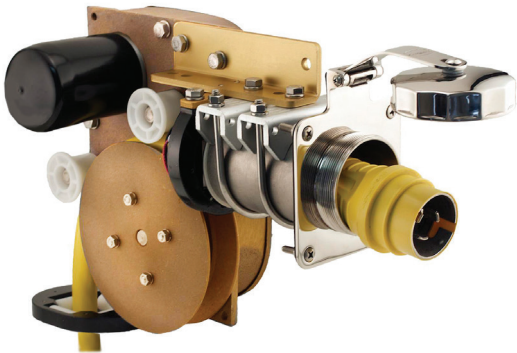
Shore Power Cable Handling Systems

CM4



- 30amp (USA) or 32amp (EU) applications
- Handles cable sizes 0.47"(12mm) OD to 0.83"(21mm) OD
- 12v or 24v DC units available
- Cable length determined by available storage area
- Supplied with or without stainless steel hawse pipe

CM7



- 50amp (USA) or 63amp (EU) applications
- Handles cable sizes 0.83"(21mm) OD to 1.14"(29mm) OD
- 12v or 24v DC units available
- Cable length determined by available storage area
- Can be used with CM8 Hawse pipe to accommodate larger shore power plugs
- Supplied with or without stainless steel hawse pipe

For more information visit www.glendinningprods.com

Glendinning Products, LLC.

740 Century Circle, Conway, SC 29526-8274

t: +1 (843) 399-6146 | e: info@glendinningprods.com | f: +1 (843) 399-5005

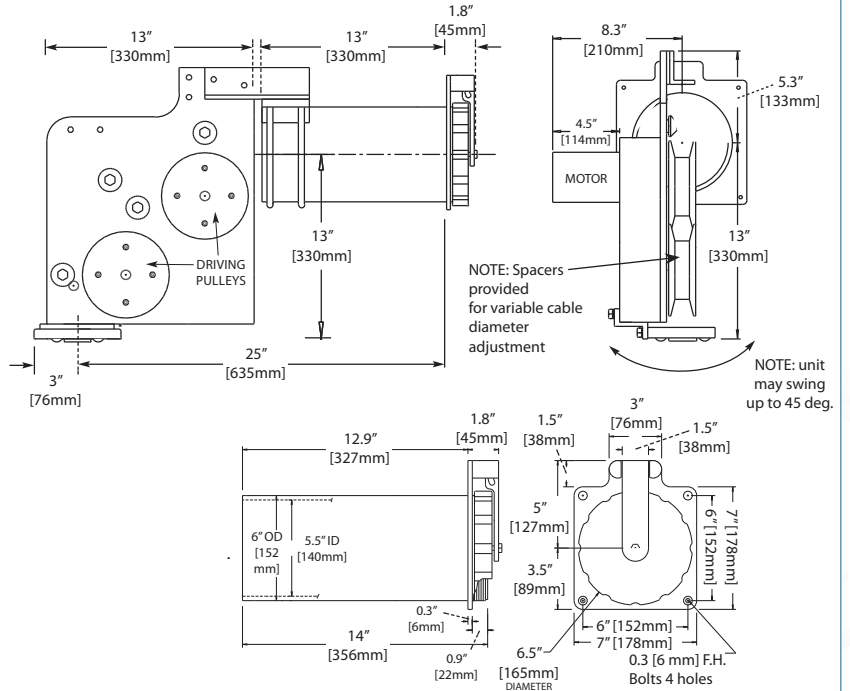
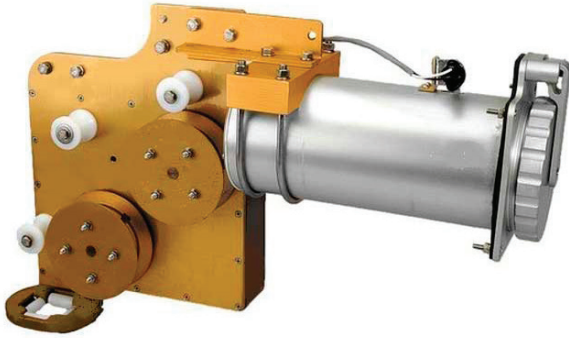
www.glendinningprods.com



CABLEMASTER™

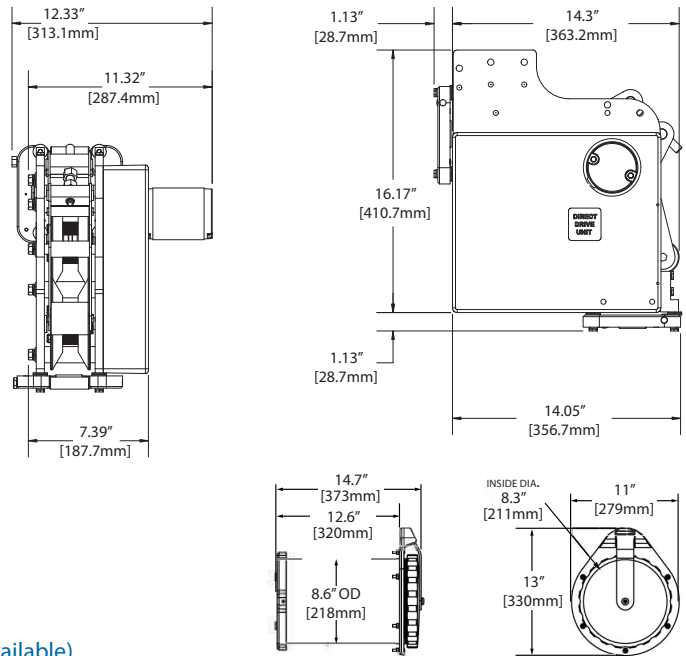
Shore Power Cable Handling Systems

CM8



- 100amp (USA) or 125amp (EU) applications
- Handles cable sizes 1.14" (29mm) OD to 1.63" (42mm)
- 24v DC
- Cable length determined by available storage area
- Supplied with or without anodized aluminium hawse pipe

CM9



- 150amp+ applications
- Handles cable sizes 1.63" (42mm) OD to 2.36" (60mm)
- 24v DC
- Cable length determined by available storage area
- Supplied without hawse pipe (optional stainless steel hawse pipe available)

For more information visit www.glendinningprods.com

Glendinning Products, LLC.

740 Century Circle, Conway, SC 29526-8274

t: +1 (843) 399-6146 | e: info@glendinningprods.com | f: +1 (843) 399-5005

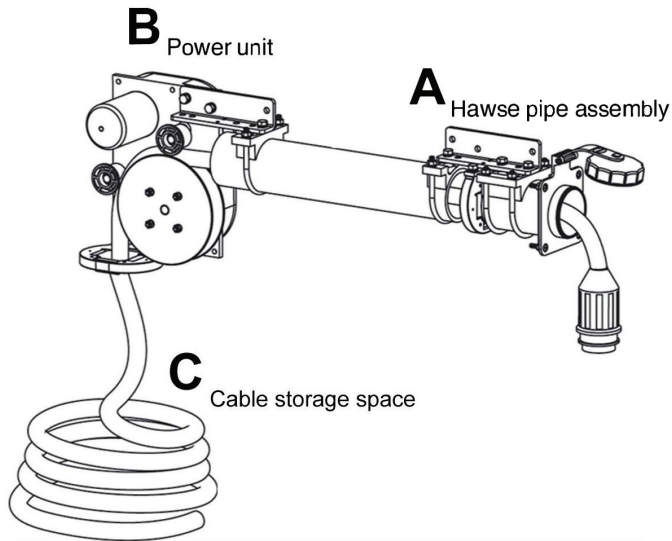
www.glendinningprods.com



CABLEMASTER™

Shore Power Cable Handling Systems

System Components



A. Hawse Pipe Assembly - the stainless steel Hawse pipe assembly performs two functions: 1) it provides a watertight (IP67) barrier when the cable is fully retracted, and 2) it stores the shore power cable plug.

B. Power Unit - the Power Unit provides the force necessary to extend or retract the cable. The Power Unit includes the drive motor, reduction gearing, guide roller assemblies, limit switches and relay assembly.

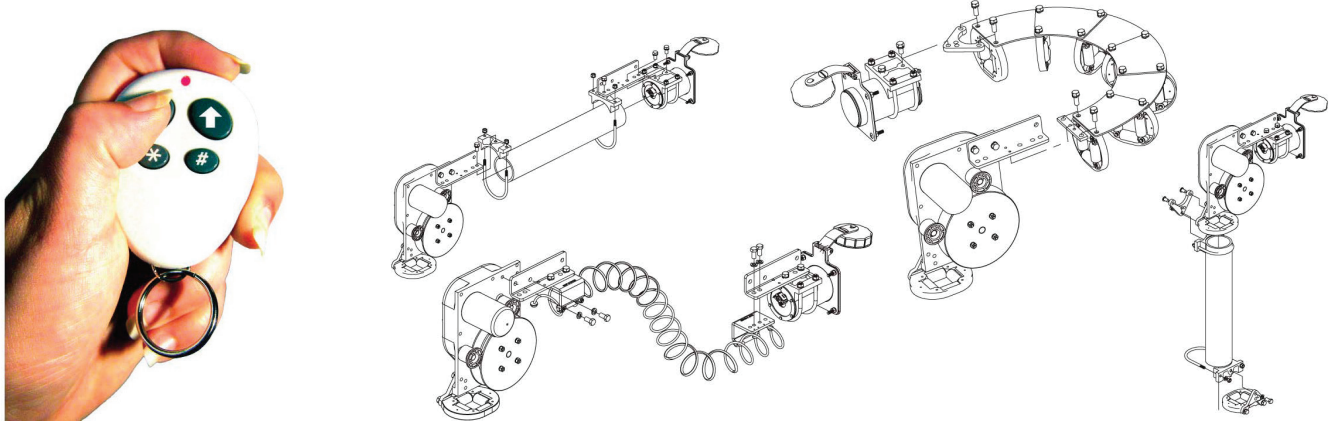
C. Cable Storage Space - the Cable Storage Space may be built into the area below the Power Unit or a "cable storage container" can be supplied with the Cablemaster unit.

Specifications

POWER CABLE SIZE.....	(Outside diameter) = 0,5 to 2.36 inches (12-60mm)
POWER CABLE LENGTH.....	Determined by available cable storage space
MOTOR VOLTAGE.....	12 or 24v DC
LIMIT SWITCHES.....	Included - Cable is automatically stopped when fully extended or retracted
CONTROL SWITCH.....	Toggle switch included with nameplate (RF Remote option available)
HAWSE PIPE.....	CM4/CM7/CM8 supplied with or without hawse pipe - CM9 supplied without hawse pipe
APPROVALS.....	CE approved ISO8846 Ignition protected, UL, CSA, ABYC

Accessories

Glendinning offers a large variety of extension assemblies to permit "remote" installations of the Cablemaster unit. This allows the Cablemaster power unit and the cable storage container to be located separately from where the cable enters the boat. These Accessories permit the Cablemaster installation to be optimized for the available space.



Glendinning Products, LLC.

740 Century Circle, Conway, SC 29526-8274

t: +1 (843) 399-6146 | e: info@glendinningprods.com | f: +1 (843) 399-5005

www.glendinningprods.com

