

**Kahlenberg**

ZERO SERIES AIRHORNS







**BETTER BY DESIGN**

KAHLENBERG ZERO SERIES AIRHORNS ARE THE PERFECT CHOICE FOR ANY VESSEL, WHETHER DESIGNED FOR PLEASURE OR COMMERCIAL SERVICE. THEY MEET OR EXCEED THE U.S. COAST GUARD AND INTERNATIONAL MARITIME ORGANIZATION SAFETY REGULATIONS FOR VESSELS LESS THAN 20 METERS IN LENGTH. SINCE KAHLENBERG AIRHORNS ARE VERY CONSERVATIVE WITH REGARD TO AIR CONSUMPTION, THEY CAN BE OPERATED WITH AN EXTREMELY SMALL COMPRESSOR-TANK KIT AS ILLUSTRATED HEREIN.

THE DISTINCTIVE SOUND OF THESE AIRHORNS IS SCIENTIFICALLY DEVELOPED FOR VOLUME, AUDIBILITY, AND RICHNESS OF TONE, BASED ON MUSICAL INSTRUMENT DESIGN. KAHLENBERG AIRHORNS REQUIRE LITTLE MAINTENANCE. THEY DO NOT REQUIRE TUNING ADJUSTMENTS, AND INCORPORATE NO MOVING PARTS OTHER THAN THE SOUND PRODUCING DIAPHRAGM. ALL HORN CASTINGS ARE OF ACCURATELY MACHINED BRONZE, WHILE HORN PROJECTORS ARE SPUN BRASS. THREE FINISHES ARE NOW AVAILABLE INCLUDING BUFFED BRASS, CHROME PLATE, OR WHITE POWDERCOAT.

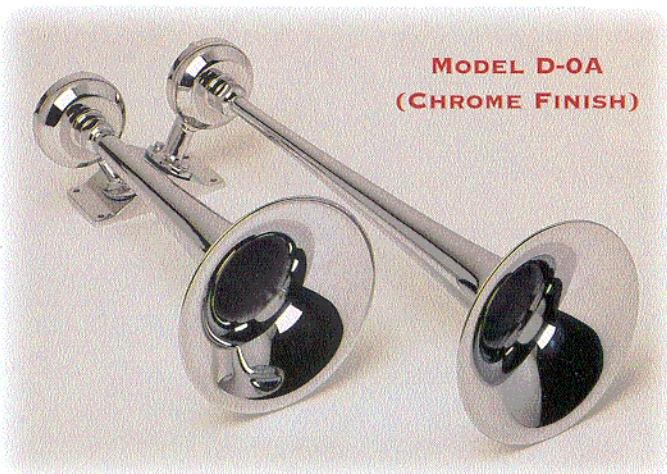
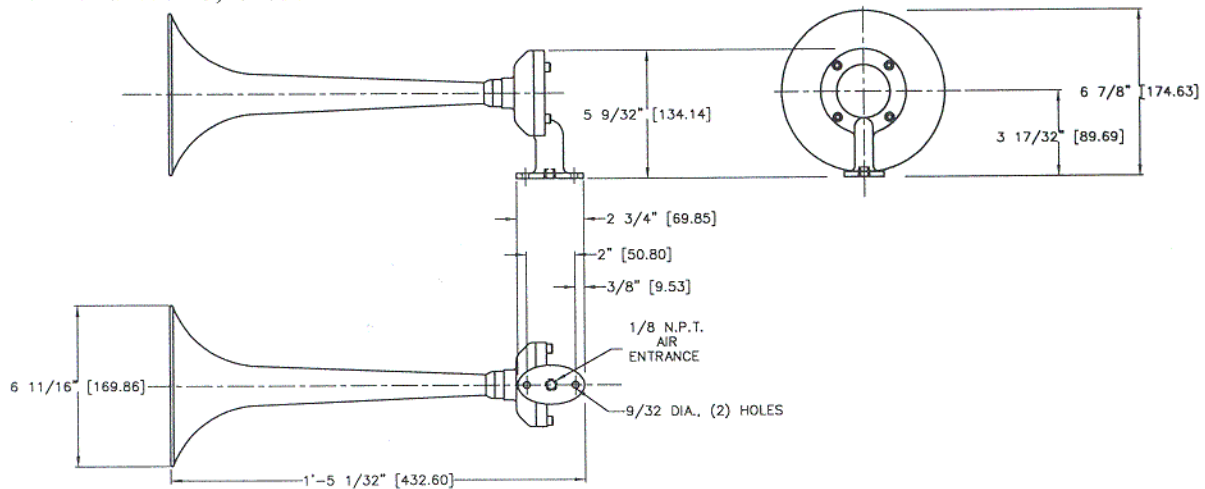


**MODEL S-0A  
(BRASS FINISH)**

**TECHNICAL DATA, S-0A**

FREQUENCY: 322 HZ  
SOUND PRESS. LEVEL: 122.9 DB  
(1/3 OCTAVE @ 1M)  
AIR CONSUMPTION: 7.5 C.F.M. @ 100 P.S.I.  
AIR PRESSURE REQUIRED: 50 TO 200 P.S.I.  
MATERIAL: SPUN BRASS AND  
CAST BRONZE  
NET WEIGHT: 4.75 LBS.  
SHIPPING WEIGHT: 9 LBS.

**OUTLINE DIMENSIONS, S-0A**

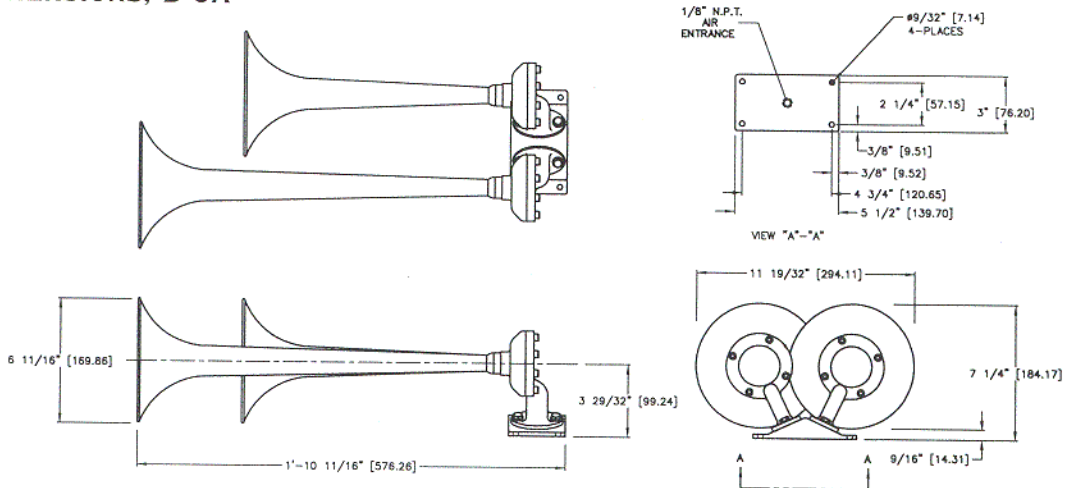


**MODEL D-0A  
(CHROME FINISH)**

**TECHNICAL DATA, D-0A**

FREQUENCY: 322 & 254 HZ  
SOUND PRESS. LEVEL: 122.5 DB  
(1/3 OCTAVE @ 1M)  
AIR CONSUMPTION: 14 C.F.M.  
@ 100 P.S.I.  
AIR PRESSURE REQUIRED: 50 TO 200 P.S.I.  
MATERIAL: SPUN BRASS AND  
CAST BRONZE  
NET WEIGHT: 9 LBS.  
SHIPPING WEIGHT: 14 LBS.

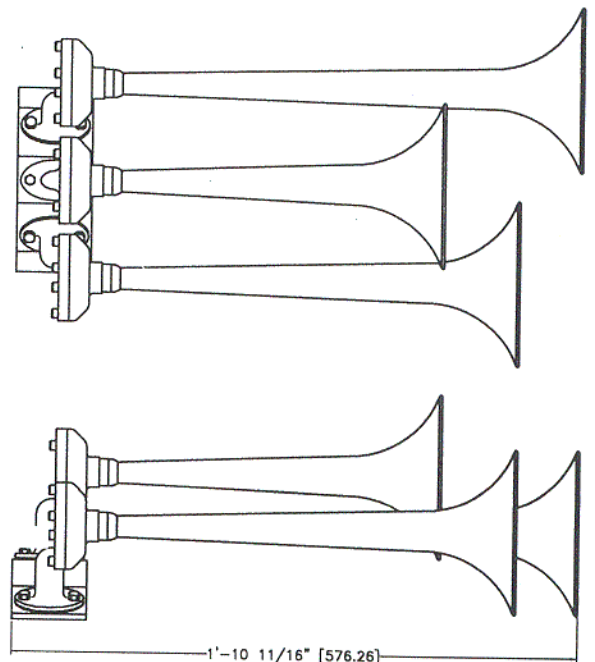
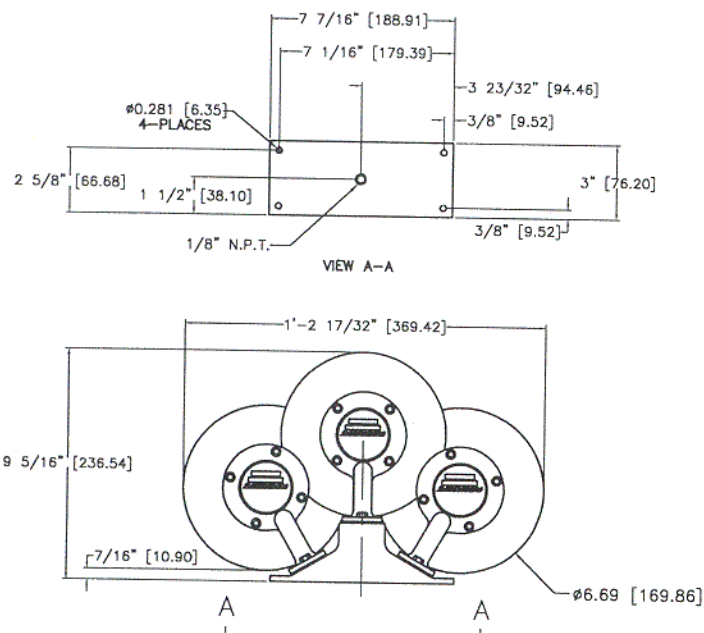
**OUTLINE DIMENSIONS, D-OA**



**TECHNICAL DATA, T-OA**

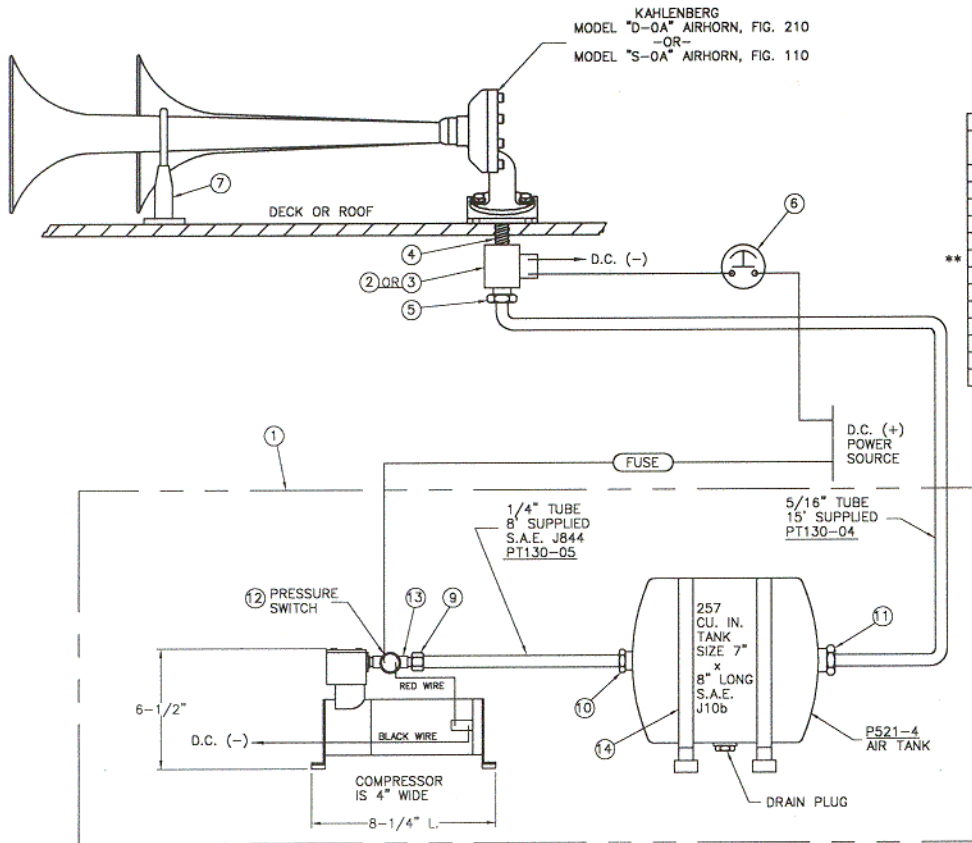
FREQUENCY: 322, 295, & 254 HZ  
 SOUND PRESS. LEVEL: 123.3 DB  
 (1/3 OCTAVE @ 1M)  
 AIR CONSUMPTION: 21.5 C.F.M.  
 @ 100 P.S.I.  
 AIR PRESSURE REQUIRED: 50 TO 200 P.S.I.  
 MATERIAL: SPUN BRASS AND  
 CAST BRONZE  
 NET WEIGHT: 16 LBS.  
 SHIPPING WEIGHT: 22 LBS.

**OUTLINE DIMENSIONS, T-OA**





# TYPICAL INSTALLATION



NO.	PART NO.	DESCRIPTION	DRWG.
1	P449-3	COMPRESSOR KIT, 12V DC	
	P449-4	COMPRESSOR KIT, 24V DC	
2	V-69K	SOLENOID VALVE, 12 OR 24V DC, 1/8" NPT	2-5045
3	V-110B	MANUAL VALVE, 1/8" NPT	2-1456
4	P129-8	PIPE NIPPLE, 1/8" NPT	
5	P516-3	CONNECTOR, MALE 1/8" NPT X 5/16" TB	
6	M-125	PUSH BUTTON SW. MOMENTARY, S.P.S.T.	2-5047
7	P519-1	PROJECTOR SUPPORT ASSEMBLY	2-5046
8	P449-7,8	COMPRESSOR UNIT ONLY, 7-12VDC, 8-24V	
9	P516-2	CONNECTOR, MALE 1/8" NPT X 1/4" TUBE	
10	P516-4	CONNECTOR, MALE 1/4" NPT X 1/4" TUBE	
11	P516-5	CONNECTOR, MALE 1/4" NPT X 5/16" TUBE	
12	PT148-2	PRESSURE SWITCH, 130/100 P.S.I.	
13	P538-1	T" FITTING, 1/8" NPT	
14	P521-3	MOUNTING BRACKET, TANK	

\*\* SUGGESTED FOR HIGH SHOCK CONDITIONS

CURRENT REQUIREMENTS	
12 VOLT	20 AMP
24 VOLT	9.2 AMP

ALL ITEMS WITHIN DASHED LINE ARE INCLUDED IN COMPRESSOR KIT. KIT ALSO INCLUDES ITEMS #4 & #5.

MOUNT COMPRESSOR ON RIGID SUPPORT IN PROTECTED AREA WITH AIR FLOW AROUND THE COMPRESSOR.

USE PIPE SEALANT ON ALL THREADED PIPE JOINTS.

PRESSURE SWITCH MAINTAINS PRESSURE BETWEEN 130 & 100 P.S.I.

**KAHLENBERG BROS. CO.**  
TWO RIVERS, WISCONSIN 54241

INSTALLATION (SUGGESTED) & PARTS LIST FOR "D-OA" & "S-OA" AIRHORN SYSTEM

DR.	DATE	CHKD.	SCALE	DRWG. NO.	REV.
ZJN	07/16/88		N.T.S.	3-5801	

\*\*\*\* PLEASE NOTE THAT THE INSTALLATION OF THE T-OA REQUIRES A 7" X 18" AIR RECEIVER. ALL OTHER COMPONENTS ARE IDENTICAL. T-OA 12 VOLT D.C. COMPRESSOR KITS ARE ORDERED UNDER PART #P449-09, 24V. D.C. KIT IS PART #P449-10.

\*\*\*\* A COMPLETE AIRHORN SYSTEM SHOULD CONSIST OF THE S-OA, D-OA, OR T-OA WITH THE V-69K SOLENOID VALVE KIT, AND ONE OF THE P449 COMPRESSOR KITS.



A FAMILY OWNED CORPORATION SINCE 1895,  
KAHLENBERG BROTHERS COMPANY CURRENTLY MANUFACTURES OVER TWO DOZEN DIFFERENT MODELS OF SOUND SIGNALS ACCEPTED BY THE U.S. COAST GUARD, AND CERTIFIED BY THE BRITISH DEPARTMENT OF TRANSPORT, FOR VESSELS 20 METERS TO OVER 200 METERS IN LENGTH. FOR VESSELS OVER 20 METERS LONG OVERALL, PLEASE ASK FOR KAHLENBERG BULLETIN 100.

Hear Kahlenberg Horns on the Internet at [www.kahlenberg.com](http://www.kahlenberg.com)

**KAHLENBERG BROTHERS COMPANY**  
1700 12TH STREET, P.O. Box 358  
TWO RIVERS, WISCONSIN 54241, U.S.A.  
PHONE: 920-793-4507 FAX: 920-793-1346

[www.kahlenberg.com](http://www.kahlenberg.com)